

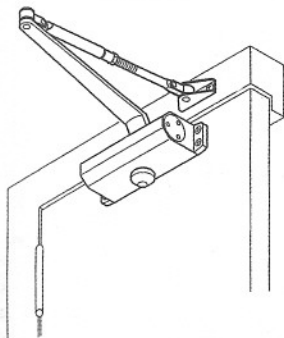
RYOBI DOOR CLOSER

8803, 8853 INSTALLATION INSTRUCTIONS

42135

SELECT PROPER APPLICATION FROM ILLUSTRATIONS BELOW.
THEN FOLLOW INSTALLATION INSTRUCTIONS ON GIVEN PAGE.

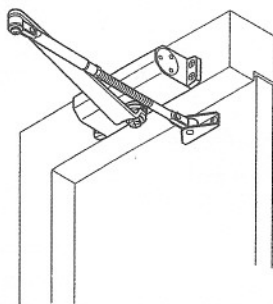
STANDARD
APPLICATION



CLOSER MOUNTED ON
HINGE SIDE OF DOOR

USE PAGE2

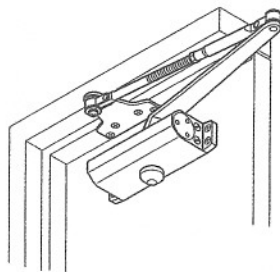
TOP JAMB
APPLICATION



CLOSER MOUNTED ON FRAME
ON STOP SIDE OF DOOR

USE PAGE3

PARALLEL ARM
APPLICATION



CLOSER MOUNTED ON
STOP SIDE OF DOOR

USE PAGE4

PERIODIC MAINTENANCE

NONE REQUIRED OTHER THAN TO CHECK SECURITY OF FIXINGS ON REGULAR BASIS.

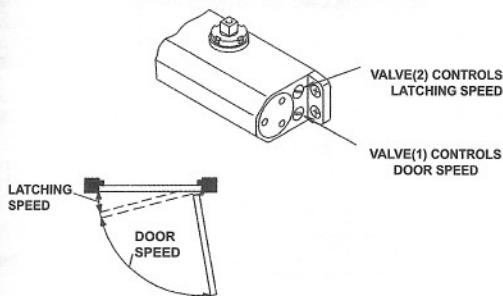
	STANDARD		TOP JAMB		PARALLEL ARM		
	Max. Door Width (mm)	Max. Door Weight (kg)	Max. Door Width (mm)	Max. Door Weight (kg)	Max. Door Width (mm)	Max. Door Weight (kg)	Max. Opening Angle
8803,8853	950	60	950	60	850	40	105°
	SIZE 3		SIZE 3		SIZE 2		

ON FIRE DOORS USE MINIMUM POWER SIZE 3

FINAL ADJUSTMENT AND REGULATING PROCEDURES

REGULATING DOOR SPEED AND LATCHING SPEED

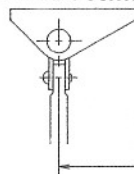
TURN SPEED REGULATING SCREW CLOCKWISE TO SLOW DOWN
OR COUNTERCLOCKWISE TO SPEED UP DOOR MOVEMENT.



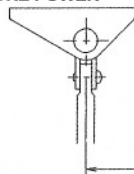
CAUTION: Take care when adjusting valves to ensure that they are not wound counterclockwise too far as this could disengage them and allow fluid to be lost.

ADJUSTING FOOT FOR ADDITIONAL CLOSING POWER

STANDARD POSITION

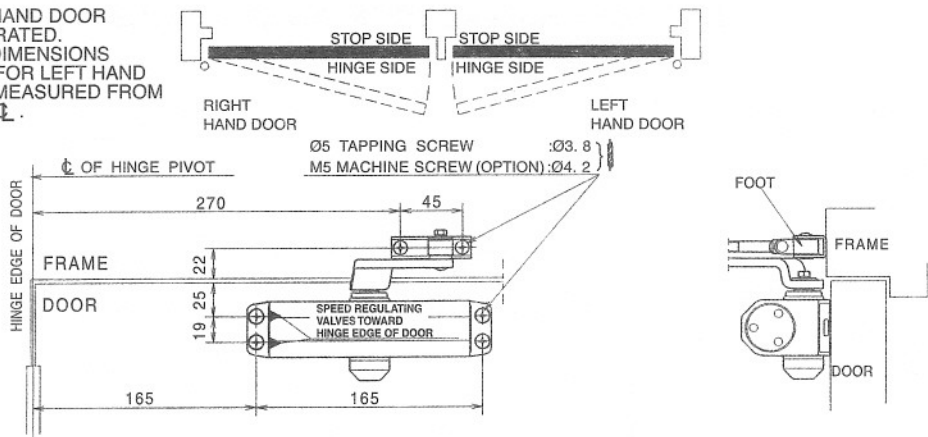


MORE POWER



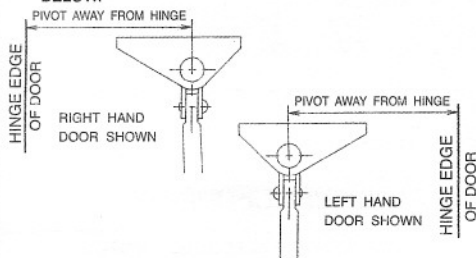
HINGE EDGE OF DOOR

RIGHT HAND DOOR
ILLUSTRATED.
SAME DIMENSIONS
APPLY FOR LEFT HAND
DOOR-MEASURED FROM
HINGE \odot .

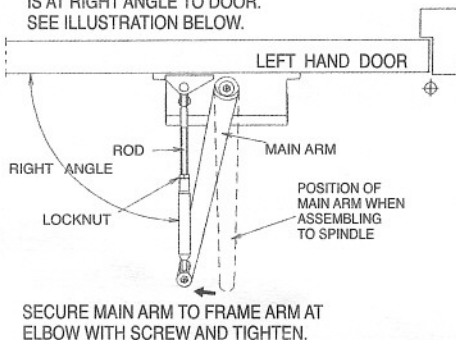


- A**
1. MARK LOCATION OF ATTACHING SCREWS ON DOOR AND FRAME AS SHOWN ABOVE. DRILL SIZES TO BE USED AS SHOWN.
 2. ATTACH CLOSER TO DOOR WITH SPEED REGULATING VALVES TOWARD HINGE.

- B**
- ATTACH FOOT TO FRAME WITH PIVOT AWAY FROM HINGE AS ILLUSTRATED BELOW.

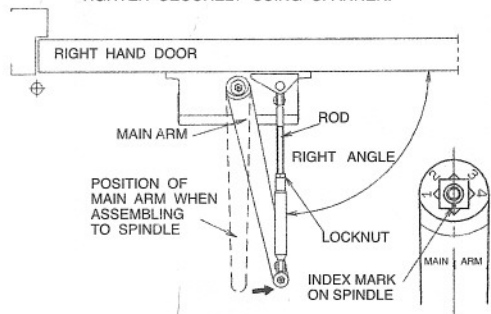


- D**
- TIGHTEN LOCKNUT SECURELY WHEN ROD IS AT RIGHT ANGLE TO DOOR. SEE ILLUSTRATION BELOW.

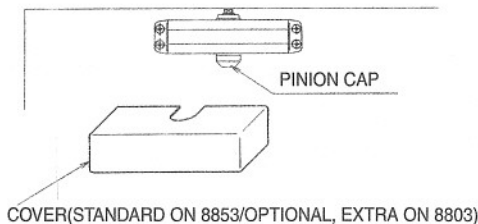


- E**
- ADJUST AND REGULATE DOOR CLOSER AS DIRECTED ON PAGE 1 FOR SPEED.

- C**
- ASSEMBLE MAIN ARM TO CLOSER WITH INDEX MARK ON SPINDLE ALIGNED WITH AXIS OF ARM AS ILLUSTRATED BELOW. ATTACH ARM WITH WASHER AND SCREW. TIGHTEN SECURELY USING SPANNER.



- F**
- INSTALL PINION CAP AND COVER AS FOLLOWS

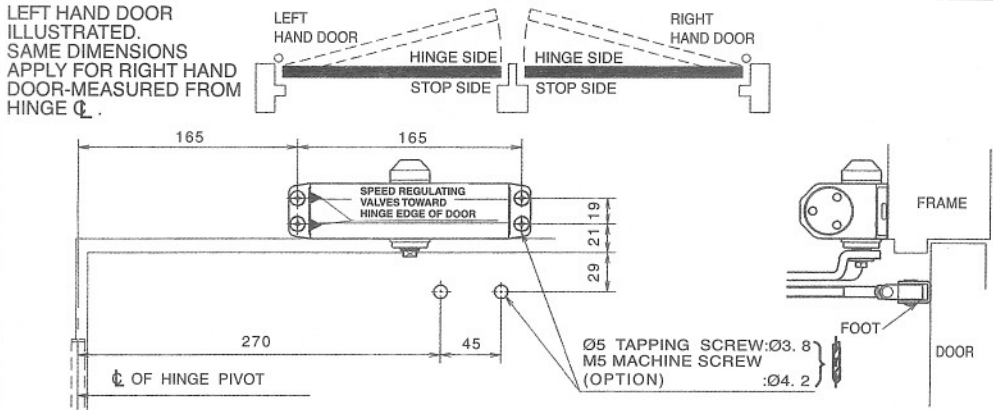


**INSTALLATION
INSTRUCTIONS**

TOP JAMB APPLICATION

**CLOSER MOUNTED ON FRAME
ON STOP SIDE OF DOOR**

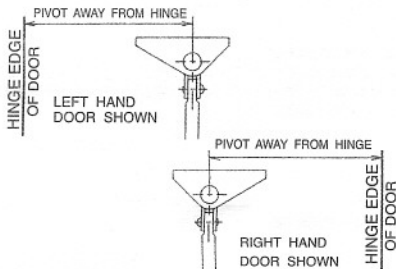
LEFT HAND DOOR
ILLUSTRATED.
SAME DIMENSIONS
APPLY FOR RIGHT HAND
DOOR—MEASURED FROM
HINGE ϕ .



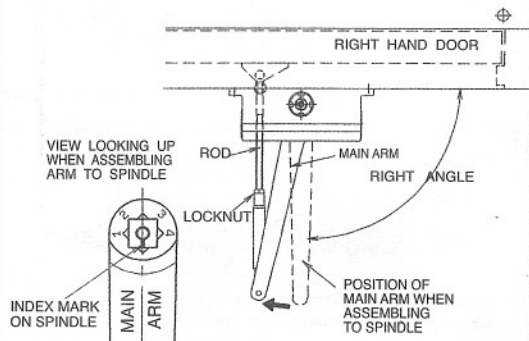
- A**
1. MARK LOCATION OF ATTACHING SCREW ON DOOR AND FRAME AS SHOWN ABOVE. DRILL SIZES TO BE USED AS SHOWN.
 2. ATTACH CLOSER TO FRAME WITH SPEED REGULATING VALVES TOWARD HINGE.

B

ATTACH FOOT TO FRAME WITH PIVOT AWAY FROM HINGE AS ILLUSTRATED BELOW



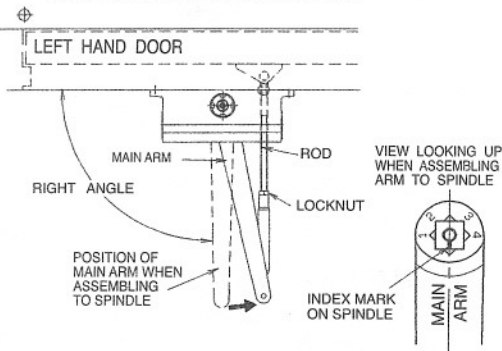
- D**
- TIGHTEN LOCKNUT SECURELY WHEN ROD IS AT RIGHT ANGLE TO DOOR. SEE ILLUSTRATION BELOW.



SECURE MAIN ARM TO FRAME ARM AT ELBOW WITH SCREW AND TIGHTEN.

C

ASSEMBLE MAIN ARM TO CLOSER WITH INDEX MARK ON SPINDLE ALIGNED WITH AXIS OF ARM AS ILLUSTRATED BELOW. ATTACH ARM WITH WASHER AND SCREW. TIGHTEN SECURELY USING SPANNER.

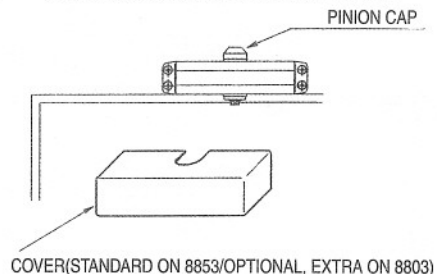


E

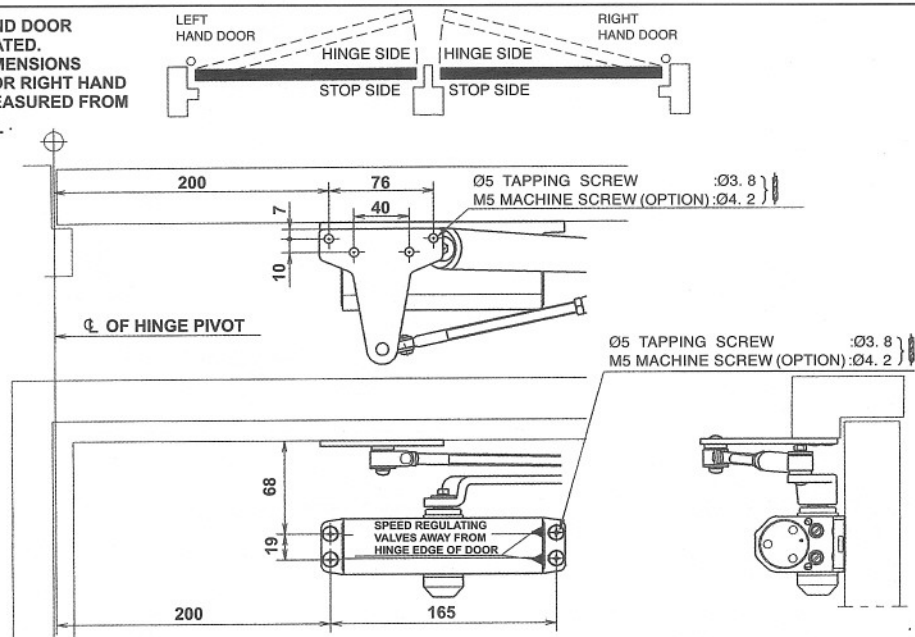
ADJUST AND REGULATE DOOR CLOSER AS DIRECTED AT PAGE 1 FOR SPEED.

F

INSTALL PINION CAP AND COVER AS FOLLOWS



LEFT HAND DOOR
ILLUSTRATED.
SAME DIMENSIONS
APPLY FOR RIGHT HAND
DOOR—MEASURED FROM
HINGE ϕ .



- A**
1. MARK LOCATION OF ATTACHING SCREWS ON DOOR AND FRAME AS SHOWN ABOVE . DRILL SIZES TO BE USED AS SHOWN.
 2. ATTACH CLOSER TO DOOR WITH SPEED REGULATING VALVES AWAY FROM HINGE.

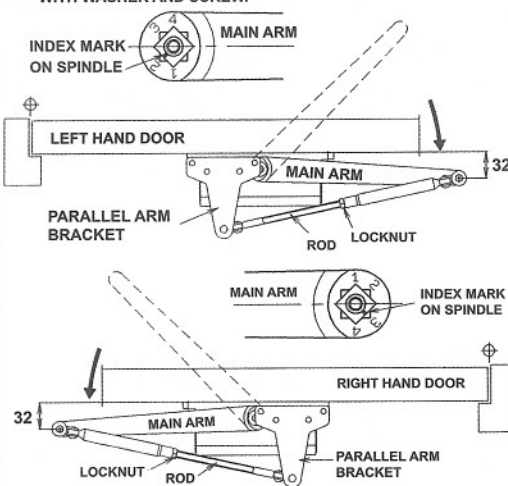
C

PARALLEL ARM BRACKET FOR PARALLEL ARM APPLICATION REMOVE FOOT BRACKET AND REPLACE WITH PARALLEL ARM BRACKET USING SCREW AND WASHER PROVIDED

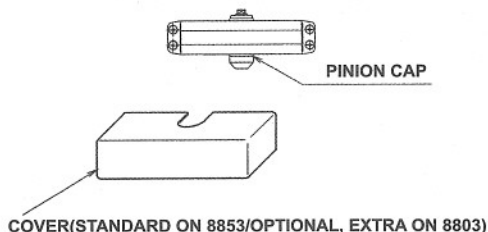
- B**
- ASSEMBLE MAIN ARM TO CLOSER WITH INDEX MARK ON END OF SPINDLE 45° FROM AXIS OF ARM. AS ILLUSTRATED BELOW, USING A WRENCH ON THE BOTTOM SPINDLE TO ROTATE SPINDLE INTO POSITION. ATTACH ARM TO SPINDLE WITH WASHER AND SCREW.

D

ADJUST AND REGULATE DOOR CLOSER AS DIRECTED AT PAGE 1 FOR SPEED.



- E**
- INSTALL PINION CAP AND COVER AS FOLLOWS



RYOBI LIMITED

5-2-8 Toshima, kita-ku TOKYO,
114-8518, JAPAN